

Bill of Quantities

Schedule-A

S. No.	Est. Qty	Item	Rate in Rupees	Unit	Amount in Rupees
1	2	3	4	5	6
3(A)	2450 Units	<p><u>)Purified DRINKING WATER SYSTEM FOR SCHOOLS WITH TDS REDUCTION REQUIRED TO 150-400 PPM FROM SOURCE WATER HAVING TDS 400-3000 ppm: TYPE-III</u></p> <p>Supplying and fixing of Drinking water system with the specifications detailed and the Cost includes manufacturer, transportation, Supply, Erection, Commissioning and Testing at the school premises, loading & unloading charges etc., all incidental charges, including GST etc., all other taxes and charges for complete finished item of work, with a warranty period of 05(five) years and further extendable of the AMC for a further period of 05(five) years on mutually agreed terms and conditions.</p> <p>[1] Raw water tank:</p> <p>➤ Dimensions: (as shown in figure)</p> <p>(i) Capacity : 500Liters</p> <p>(ii) Dia.of tank: 765mm</p> <p>(iii) Height : 1050mm</p> <p>(iv) Diameter of Lid :500 mm (dia.) (Tank Opening)</p> <p>(v) Locking system for Lid: with stainless steel</p>	1,84,408/-(Rupees One Lakh Eighty four thousand Four Hundred and Eight only)	01 (one System)	



Handwritten notes: 02, 17/12/20, 10/25


 Managing Director,
 APEWIDC, Vijayawada

(Tank Opening)hinge & padlock

(vi) Embossing letters on Tank: "Nadu -Nedu2020"

(B) Specifications:

- The entire Tank and Lid shall be made with stainless steel sheet of 304 grade (1.20mm) and the stainless- steel sheet of brand viz., Jindal / Salem SAIL with locking system, as shown in figure.

(C) Stand - Height: 550 mm

- Ring of diameter 768mm made with stainless steel tube of size **25mm x 25mm x 1.6mm** thick of approved brand viz., Jindal / TATA / Salem SAIL / Vizag Steel
- 6 Nos of legs and with tie as shown in figure made of stainless-steel tube of size **25mm x 25mm x 1.6mm** thick of approved brand viz., Jindal / TATA / Salem SAIL / Vizag Steel
- Outlet pipe made up of stainless steel SS 304 grade of diameter 40.0 mm (1½") and inlet pipe made up of stainless steel 304 grade of diameter 25.40mm (1") of approved brand viz., Jindal / TATA / Salem SAIL / Vizag Steel

Stainless steel drain pipe of diameter 40.00mm (1½") shall be provided with functional valve.

[2] Water Treatment unit with Ultra Violet System

- Vessel / dual media of 255.00 mm dia. and 1370.00 mm height (i.e., 10" x 54") – make Pentair, with 40 kg quartz sand – 3 mm – 5mm size and Activated carbon 25 kg of coconut shell based (2 mm – 5mm size) make – ALFA activated carbon India / SR carbon / ACG / Aqua and with 25 (nb)mm multiport valve – make : UKL and Jumbo filter housing with 5/10 micron – make –PRATAM/MMP.
- UV system with 1000 LPH capacity with stainless steel



Handwritten initials and marks: "R", "4", "CF", "D"

Managing Director,
APEWIDC, Vijayawada

body 500 mm height – make: ALFA, with Philips lamp (15 L model) 1000LPH.

- TDS Membrane filters-04(Green Membrane Technology with membrane pore size 0.001 microns) to bring water TDS levels 150-400 ppm for TDS 400- 2000ppm feed water at an Average purification of 100-140 liters per hour ,based on feed water TDS by connecting the below given rated 04 Membranes in series in stages using residual water after diverting the purified water at every stage. The TDS membrane filters are:

- 1) 400 gpd size 4012-50LPH or Equal
- 2) 320 gpd size 3012-40LPH or Equal
- 3) 200 gpd size 2512-30 LPH or Equal
- 4) 100 gpd size 2112-15 LPH or Equal

and for TDS range 2000-3000 ppm the company has to explore alternate mechanism to bring down TDS atleast to 500ppm

- (Mud) Micron filter-1. (Make: MMP /Pratham)
- All the above shall be mounted in stainless steel framed stand (compact skid mounted) equipment made with 40mm size square Stainless-steel pipe of 304 grade and fitted with Stainless steel pipe lines (SS 304 grade) with necessary fittings

Makes:

- UV System: Alfa / Sukruth/Nexus with 5 years warranty
- Filter bed and Micron Filter: MMP/ Pratham with 5 years warranty
- Dual Media Filter (Activated Carbon): ACG / Aqua with 5 years warranty
- Ultrafine membrane (UFM-TDS) filter and booster pump to pump water to the UFM-TDS. with 5 years warranty



Handwritten mark

Handwritten mark

Handwritten mark


Managing Director,
APEWIDC, Vijayawada

Centrifugal pump 0.5 HP (make CRI/ Lubi /Leo)/300 Gpd OR SUITABLE RATING PUMP (Make-Crompton/KSB/ORG)with 5 years warranty, Booster pump 300 Gpd OR SUITABLE RATING PUMP or appropriate rating for TDS membrane filter ,VOLTAGE- 24VDC; AMPS-1.4 to 2.1A; OPEN FLOW-2.0 to 2.5LPM; WORKING PRESSURE-75 PSI;SUCTIONHEIGHT-2M

- Socket - 01No.
- Battery-12V-7ah[two(02) in number along with all Charging accessories] OR optimum rating.
- Pressure gauge
- TDS meter

3 | Treated Water Tank:

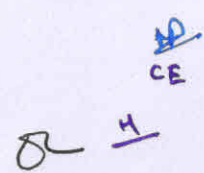
[A]Dimension: (As shown in figure)

- (i) Capacity : 300Liters
- (ii) Shell diameter : 765mm
- (iii) Height of shell: 650mm
- (iv) Diameter of : 500 mm Lid
(Top opening)
- (v) Locking system :with Heavy stainless
Top Lid(Tank Opening) steel Hinge and
padlock
- (vi) Embossing letters on Tank: "Nadu -Nedu2020"
- (vii)

(B)Specifications:

Tank with Lid shall be made with stainless steel sheet of 304 grade with 1.20mm thickness and the stainless-steel sheet shall be Jindal / Salem SAIL; with locking system as shown in figure.


Managing Director,
APEWIDC, Vijayawada





(C)Stand:

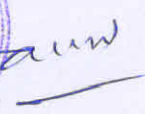
- Height of stand : 1310mm
- Stand shall be made with stainless steel 304 grade tube of size **25mm x 25mm x 1.6mm** thickness for the top in circular shape and stainless steel tube 304 grade of size **25mm x 25mm x 1.6mm** thickness 4 Nos. for legs of height 1310 mm and for stiffeners at middle and bottom as shown in figure (SS 304 grade Pipe shall be of approved brand viz., Jindal / TATA / Salem SAIL / Vizag Steel)
- Outlet pipe made with stainless steel pipe of diameter 40.0mm (1½") and inlet pipe made with stainless steel pipe of diameter 25.40 mm (1") of approved brand viz., Jindal / TATA / Salem SAIL / Vizag Steel;
- Stainless steel drain pipe of diameter 40mm(1½") shall be provided with functional valve.

[4] Water Dispenser (Size 3000mm x 450mm x 1200mm): [Stainless Steel Sink] G

overnment High Schools

Stainless steel Water Dispenser of size 3000mm x 450mm x 1200mm as shown in figure made with stainless steel sheet of 1.0mm thick 304 grade and sink of size 245mm x 150mm x 430mm including 8 nos. of taps connected to foot pedestal (Pedal photo as shown in figure) of SS coated Gun metal push or any better quality taps with 40mm (1½") diameter Stainless steel connecting pipe up to 3mtrs length with necessary Stainless steel clamps at 3 supports and the frame shall be made with 40mm x 40mm x 1.2mm thick size stainless steel grade 304 square tubes and levers at bottom of frame for level adjustment. The equipment shall be made





3(B)	1,050 units	<p>as per drawing shown in figure.</p> <p><u>B) DRINKING WATER SYSTEM FOR SCHOOLS HAVING SOURCE WATER TDS BELOW 400 PPM : TYPE- III</u></p> <p>Supplying and fixing of Drinking water system with the specifications detailed and the Cost includes manufacturer, transportation, Supply, Erection, Commissioning and Testing at the school premises, loading & unloading charges etc., all incidental charges, including GST etc., all other taxes and charges for complete finished item of work, with a warranty period of 05(five) years and further extendable AMC for a period of 05(five) years on mutually agreed terms and conditions.</p> <p><u>1]Raw water tank:</u></p> <p>➤ Dimensions: (as shown in figure)</p> <p>(i) Capacity : 500Liters</p> <p>(ii) Dia.of tank: 765mm</p> <p>(iii) Height : 1050mm</p> <p>(iv) Diameter of Lid :500 mm (dia.) (Tank Opening)</p> <p>(v) Locking system for Lid: with stainless steel (Tank Opening)hinge & padlock</p> <p>(vi) Embossing letters on Tank: "Nadu -Nedu2020"</p> <p>(B)Specifications:</p> <p>➤ The entire Tank and Lid shall be made with stainless steel sheet of 304 grade (1.20mm) and the stainless- steel sheet of brand viz., Jindal / Salem SAIL with locking system, as shown in figure.</p> <p>(C) Stand - Height: 550 mm</p> <p>➤ Ring of diameter 768mm made with stainless steel tube of size 25mm x 25mm x 1.6mm thick of approved</p>	Rs.1,36,703/- (Rupees One Lakh thirty six thousand seven hundred and three only)		
------	-------------	---	---	--	--



Handwritten initials and signature: "OR" and "4" with "CE" written vertically.

Managing Director,
APEWIDC, Vijayawada

- brand viz., Jindal / TATA / Salem SAIL / Vizag Steel
- 6 Nos of legs and with tie as shown in figure made of stainless-steel tube of size **25mm x 25mm x 1.6mm** thick of approved brand viz., Jindal / TATA / Salem SAIL / Vizag Steel
 - Outlet pipe made up of Stainless steel SS 304 grade of diameter 40.0 mm (1½") and inlet pipe made up of stainless steel 304 grade of diameter 25.40mm (1") of approved brand viz., Jindal / TATA / Salem SAIL / Vizag Steel

Stainless steel drain pipe of diameter 40.00mm (1½") shall be provided with functional valve.

☑ Water Treatment unit with Ultra Violet System

Vessel / dual media of 255.00 mm dia. and 1370.00 mm height (i.e., 10" x 54") – make Pentair, with 40 kg quartz sand – 3 mm – 5mm size and Activated carbon 25kgofcoconutshellbased(2mm–5mmsize)make – ALFA activated carbon India / SR carbon / ACG / Aqua and with 25 (nb)mm multiport valve – make : UKL and Jumbo filter housing with 5/10 micron –make – PRATAM/MM

- UV system with 1000 LPH capacity with stainless steel body 500 mm height – make: ALFA, with Philips lamp (15 L model) 1000LPH.
- Mud filter-1. (Make: MMP /Pratham)
- All the above shall be mounted in stainless steel framed stand (compact skid mounted) equipment made with



Handwritten mark

Handwritten mark

Handwritten initials CE

Handwritten signature
 Managing Director,
 APEWIDC, Vijayawada

40mm size square Stainless-steel pipe of 304 grade and fitted with Stainless steel pipe lines (SS 304 grade) with necessary fittings

Makes:

- **UV System: Alfa / Sukruth with 5 years warranty**
- **Mud Filter : MMP / Pratham with 5 years warranty**
- **Dual Media Filter**
- **Centrifugal pump 0.5 HP (Make-CRI / Lubi / Leo) /300 GPD of any suitable make with 5 years warranty**
- **Pressure gauge**
- **TDS meter**
- **Socket - 01No.**
- **Battery-12V-7ah [TWO(02)in number along with all Charging accessories] OR optimum rating.**

Treated Water Tank:

[A]Dimension: (As shown in figure)

- (i) Capacity : 300Liters
- (ii) Shell diameter : 765mm
- (iii)Height of shell: 650mm
- (iv) Diameter of Lid (Top opening) : 500 mm
- (v) Locking system :with Heavy stainless steel Hinge and padlock
Top Lid(Tank Opening)
- (vi) Embossing letters on Tank: "Nadu -Nedu2020"

(B)Specifications:

- Tank with Lid shall be made with stainless steel sheet of 304 grade with 1.20mm thickness and the stainless-steel

CE

02 1



Handwritten signature

sheet shall be Jindal / Salem SAIL; with locking system as shown in figure.

(C)Stand:

- Height of stand : 1310mm
- Stand shall be made with stainless steel 304 grade tube of size **25mm x 25mm x 1.6mm** thickness for the top in circular shape and stainless steel tube 304 grade of size **25mm x 25mm x 1.6mm** thickness 4 Nos. for legs of height 1310 mm and for stiffeners at middle and bottom as shown in figure (SS 304 grade Pipe shall be of approved brand viz., Jindal / TATA / Salem SAIL / Vizag Steel)
- Outlet pipe made with stainless steel pipe of diameter 40.0mm (1½") and inlet pipe made with stainless steel pipe of diameter 25.40 mm (1") of approved brand viz., Jindal / TATA / Salem SAIL / Vizag Steel;
- Stainless steel drain pipe of diameter 40mm(1½") shall be provided with functional valve.

[4] Water Dispenser(Size 3000mm x 450mm x 1200mm): [Stainless Steel Sink]

Government High Schools

(iv)Stainless steel Water Dispenser of size 3000mm x 450mm x 1200mm as shown in figure made with stainless steel sheet of 1.0mm thick 304 grade and sink of size 245mm x 150mm x 430mm including 8 nos. of taps connected to foot pedestal (Pedal photo as shown in figure) of SS coated Gun metal push or any better quality taps with 40mm (1½") diameter Stainless steel connecting pipe up to 3mtrs length with necessary Stainless steel clamps at 3 supports and the frame shall




Managing Director,
APEWIDC, Vijayawada



	<p>be made with 40mm x 40mm x 1.2mm thick size stainless steel grade 304 square tubes and levers at bottom of frame for level adjustment. The equipment shall be made as per drawing shown in figure.</p> <p>Note-1: the bidder has to quote lump sum amount for both the above (A) & (B) units, and also to quote rates for each(A) & (B) units separately. The lump sum amount shall be exactly equal to the sum total of (A) & (B)units</p> <p>Note-2: nothing should be reflected in the Cost component column of the financial bid. Whatever the rate quoted is all inclusive.</p> <p>Note-3: Entire product and all its components , accessories such as filters and batteries etc., shall have 05 (five) years of warranty, in case of any short life period any of the above accessories / components the vendor has to replace periodically to make the product functional. In case a mention is found or not anywhere in this tender document regarding warranty period, the instructions contained in note-3 is final and binding. Further it is appropriate to use battery management system for getting optimum peak power, if possible.</p>			
	Tender Contract Value (TCV)of the work (Including GST & all other Taxes)			59,53,37,750/-




 Managing Director,
 APEWIDC, Vijayawada



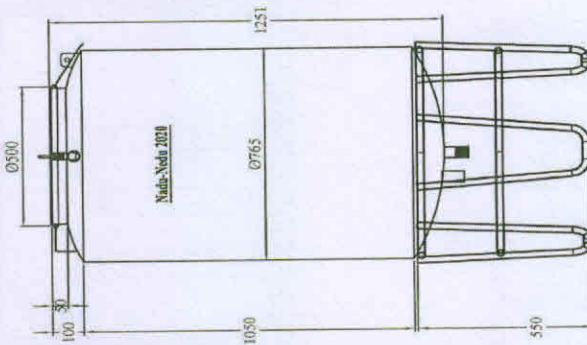
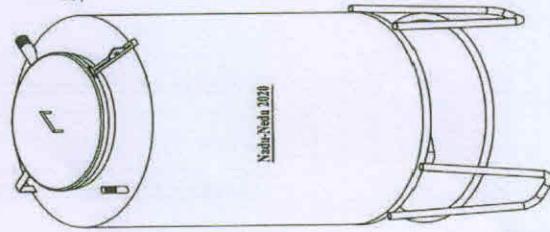

Handwritten signature

Handwritten initials

Handwritten signature
Managing Director,
APEWIDC, Vijayawada



TYPE-III(A)



Front View

Isometric View

Fig.1 Raw water tank

Treated Water Tank Assembly			
S.No	Description	Specification	Material
1	Sheet Assembly	Ø 768mm x 550mm H.	SS304
2	Tank Assembly	Ø 765mm x 1050mm Shell Hts 1.2mm Thk.	SS304

- 500 Liters Raw water storage tank**
- Note** : With TDS reduction required to 150 -400 ppm from source water having **TDS 400-3000ppm**
 - Tank size : 765 mm Ø -shell x 1050 mm height of shell (Excluding curved portion)
 - Top Cover / Lid : 500 mm Ø openable(Operating) lid on top with strong hinges for locking the system
 - Tank Material : 304 grade (1.2 mm) stainless steel sheet (Jindal/Tata/salem SAIL/ Vizag steel)
 - Stand : 768 mm Ø bottom ring made with S.S. 304 grade tube of size -25mmx25mmx1.6mm thick
 - Legs (550mm ht.) : 6 Nos of legs & Ties made with S.S.304 grade tube of size -25mmx25mmx1.6mm thick (as Shown in Fig.)
 - Inlet Pipe : Made with S.S. 304 grade pipe 25.4mm (1")
 - Outlet Pipe : Made with S.S. 304 grade pipe 40mm (1½")
 - Drain Pipe : Made with S.S. 304 grade pipe 40mm (1½")
 - Embossing Letters : Nadu-Nedu (2020)
 - (Make of S. S. : JINDAL/TATA/Salem SAIL/ Vizag steel)
 - (Make of S. S. sheet (304 grade) : JINDAL/Salem SAIL)

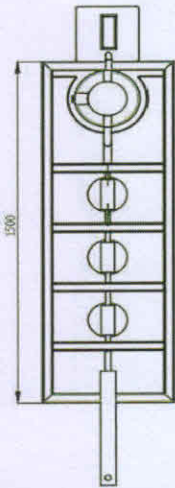
ALL DIMENSIONS ARE IN MILLIMETERS

TYPE-III (A)

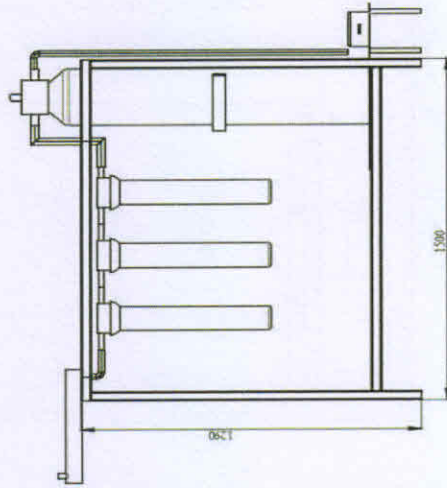
INDEX

WATER TREATMENT UNIT

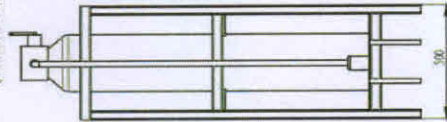
- Vessel / Dual Media : 255 mm Ø and 1370 mm height (10"x54")
(Make: Pentair)
- Quartz sand : 40 kg of size 3 to 5 mm
- Activated carbon : 25kg- cocconut shell of size 2 to 5 mm
MAKE Activated Carbon India/ SR Carbon
- Multi port valve : 25 (nb) mm-UKL Make
- Jumbo filter housing with 5/10 micron - Pratam /MMP make
- UV system with 1000 lph capacity with stainless steel 0.5 m height -
make ALFA/Sukruth/nexus with Philips lamp (151 model) 1000 lph .
- TDS Membranes filter (Green Membrane Technology with membrane
pore size 0.001 micron)-4 Membranes in series in stages are as follows.
1) 400gpd size 4012-50 LPH or equal, 2)320gpd size 3012-40 LPH or equal
3) 200gpd size 2512-30 LPH or equal, 4)100gpd size 2112-15 LPH or equal
(Mud) Micron filter
- 304 grade of 40mm square pipe stand with compact equipment skid mounted
- S.S. pipe line with necessary fittings -Make Birla Airocon.
- Centrifugal pump 0.5 HP (Make-CRI / Lubi / Leo) with 5years warranty
- **Booster pump 300 GPD (Make-ORG/AQUA) with 5 years warranty**
- Socket
- Battery-12v-7ah-optimum rating.
- Pressure gauge
- (Make of S. S. : JINDAL/TATA/salem SAIL/ Vizag steel)
(Make of S. S. sheet (304 grade) : JINDAL/Salem SAIL)



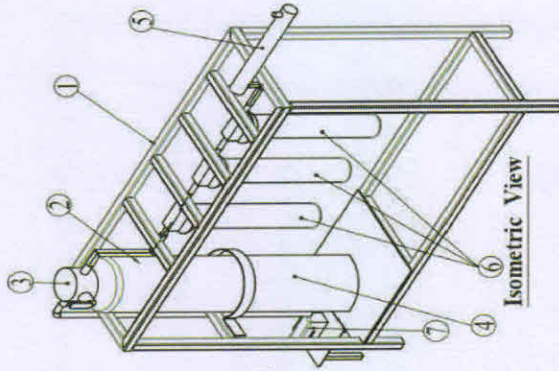
Top View



Front View



Side View



Isometric View

Filter Bed Assembly				
Sr.No	Description	Specification	Material	QTY
1	Structure Assembly	1500x500Wx1300H (40x40x1.20)	SS304	1 Set
2	Vessel System Set	Ø 255mm xh1370mm.H		1 Set
3	Multi Port Valve			1 Set
4	Jumbo Filter	5/10 Micron		1 Set
5	UV System	1000 LPH		1 Set
6	TDS filters (4 Numbers)			04 No's
7	Centrifugal Pump	0.5 HP		1 Set
8	Booster pump	300 GPD		1 Set

NOTE: All are five years warranty

Fig.2- Treatment unit



Handwritten signatures and initials: *CE*, *AD*, *2/1*

Managing Director,
APEWIDC, Vijayawada

TYPE-III(A)

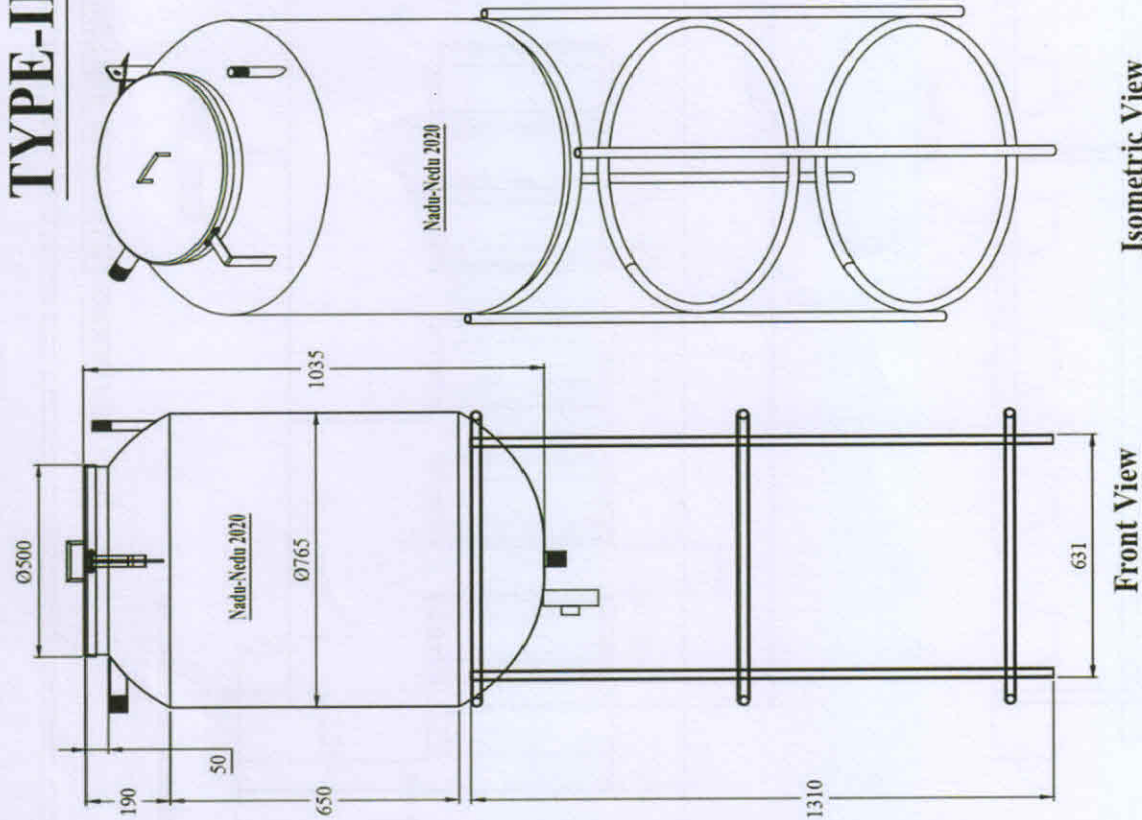
Treated Water Tank Assembly				
Sr.No	Description	Specification	Material	Q.T.Y
1	Stand Assembly	Ø 768mm x 1310mm H	SS304	1 Set
2	Tank Assembly	Ø 765mm x 1035mm H shell x 1.20mm thickness	SS304	1 Set

INDEX

300 Liters Treated water tank

- Tank size : 765 mm Ø-shell x 650 mm height of shell (Excluding curved portion)
- Top cover/Lid : 500 mm Ø lid on top with strong hinges for locking the system
- Tank Material : 304 grade (1.2 mm) stainless steel sheet (Jindal/Tata/salem SAIL/ Vizag steel)
- Stand : 768 mm Ø bottom ring made with S.S. 304 grade tube of size -25mmx25mmx 1.6mm thick
- Legs(1310mm ht.) : 4 Nos of legs & Ties made with S.S.304 garde tube of size -25mmx25mmx 1.6mm thick (as Shown in Fig.)
- Inlet Pipe : Made with S.S. 304 grade pipe 25.4mm (1")
- Outlet Pipe : Made with S.S. 304 grade pipe 40mm (1½")
- Drain Pipe : Made with S.S.304 grade pipe 40mm (1½")
- Embossing Letters : Nadu-Nedu (2020)
(Make of S. S. : JINDAL/TATA/salem SAIL/ Vizag steel)
(Make of S. S. sheet (304 grade) : JINDAL/Salem SAIL)

ALL DIMENSIONS ARE IN MILLIMETERS



Isometric View

Front View

Fig.3 Treated water tank

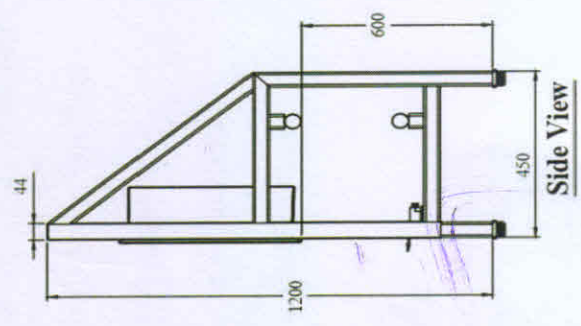
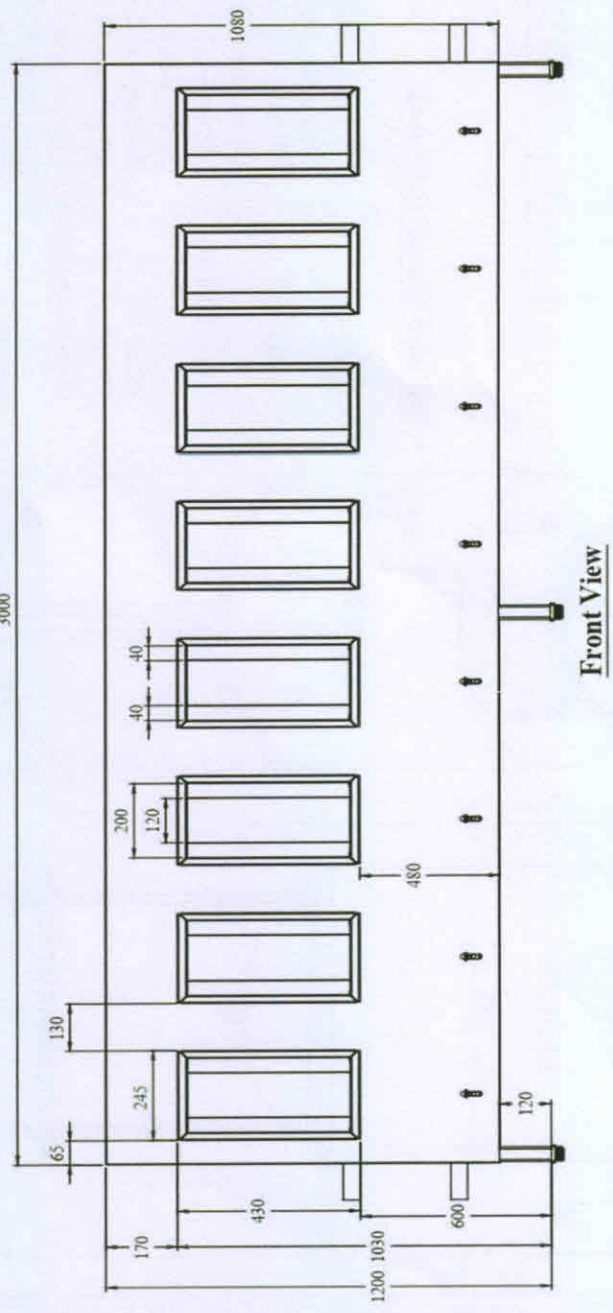
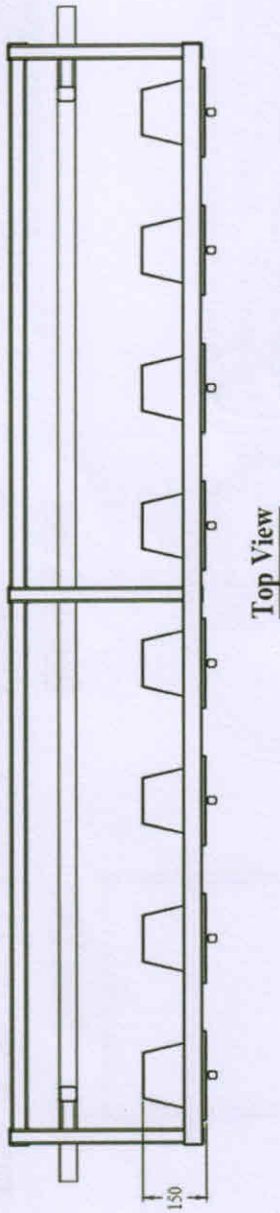


Handwritten initials and marks.

Managing Director,
APEWIDC, Vijayawada



TYPE-III(A)



ALL DIMENSIONS ARE IN MILLIMETERS

Fig.4 - Water Dispenser For Government High Schools



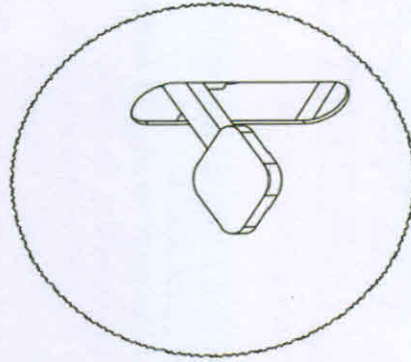
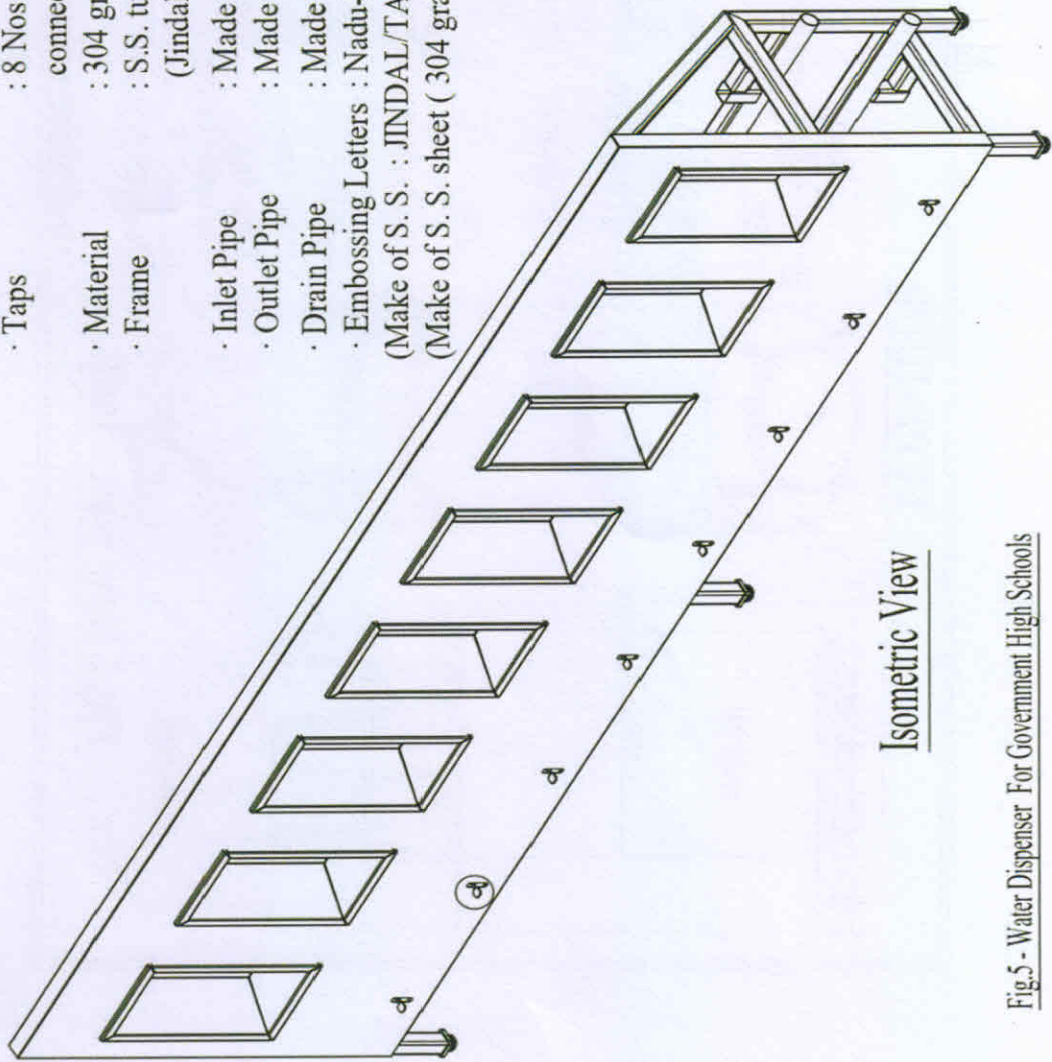

 Managing Director,
 APEWIDC, Vijayawada

TYPE-III(A)

INDEX

WATER DISPENSER

- Over all Size : 3000 mm Length x 450 mm Width x 1200 mm height
 - Panel Size : 3000 mm Length x 1080 mm height
 - Sink : 8 Nos of size: 245x150x430mm
 - Taps : 8 Nos of S.S coated GM heavy duty push taps connected with foot pedestals as shown in drawings
 - Material : 304 grade of 1.0mm thick stainless steel sheet
 - Frame : S.S. tube of size 40x40x1.2mm thick with 304 grade (Jindal/Tata/salem SAIL/ Vizag steel)
 - Inlet Pipe : Made with S.S.304 grade pipe 40mm (1½")
 - Outlet Pipe : Made with S.S.304 grade pipe 25.4mm (1")
 - Drain Pipe : Made with S.S.304 grade pipe 40mm (1½")
 - Embossing Letters : Nadu-Nedu (2020)
- (Make of S. S. : JINDAL/TATA/salem SAIL/ Vizag steel)
(Make of S. S. sheet (304 grade) : JINDAL/Salem SAIL)



Pedestal

Isometric View

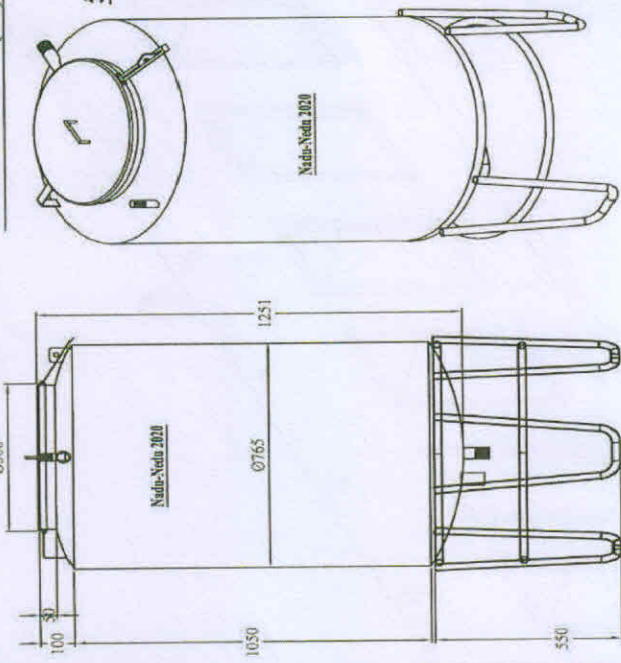
Fig.5 - Water Dispenser For Government High Schools



17
CF

[Signature]
Managing Director,
APEWIDC, Vijayawada

TYPE-III(B)



Front View

Isometric View

Fig.1 Raw water tank

Treated Water Tank Assembly				
Sr.No	Description	Specification	Material	Q.TY
1	Stand Assembly	Ø 768mm x 250mm H	SS304	1 Set
2	Tank Assembly	Ø 765mm x 1050mm Sheet H x 1.2mm Thk	SS304	1 Set

INDEX

500 Liters Raw water storage tank

Note : Feed water having TDS ≤ 400 ppm.

- Tank size : 765 mm Ø -shell x 1050 mm height of shell (Excluding curved portion)
- Top Cover / Lid : 500 mm Ø openable(OPERating) lid on top with strong hinges for locking the system
- Tank Material : 304 grade (1.2 mm) stainless steel sheet (Jinda/Tata/salem SAIL/ Vizag steel)
- Stand : 768 mm Ø bottom ring made with S.S. 304 grade tube of size -25mmx25mmx 1.6mm thick
- Legs (550mm ht.) : 6 Nos of legs & Ties made with S.S.304 grade tube of size -25mmx25mmx 1.6mm thick (as Shown in Fig.)
- Inlet Pipe : Made with S.S. 304 grade pipe 25.4mm (1")
- Outlet Pipe : Made with S.S. 304 grade pipe 40mm (1½")
- Drain Pipe : Made with S.S. 304 grade pipe 40mm (1½")
- Embossing Letters: Nadu-Nedu (2020)
- (Make of S. S. : JINDAL/TATA/Salem SAIL/ Vizag steel)
- (Make of S. S. sheet (304 grade) : JINDAL/Salem SAIL)

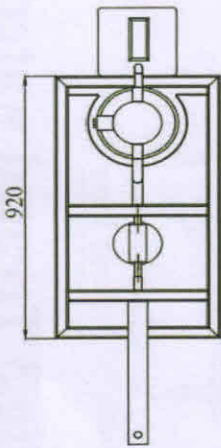
ALL DIMENSIONS ARE IN MILLIMETERS

TYPE-III(B)

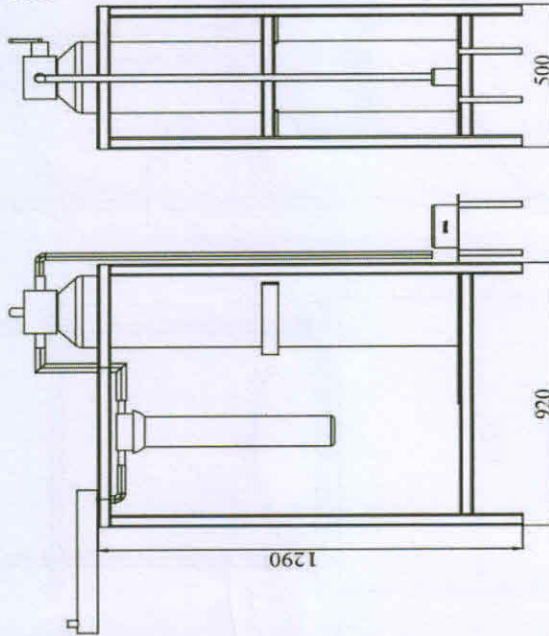
WATER TREATMENT UNIT

INDEX

- Vessel / Dual Media : 255 mm Ø and 1370 mm height (10"x54") (Make: Pentaur)
- Quartz sand : 40 kg of size 3 to 5 mm
- Activated carbon : 25kg- coconut shell of size 2 to 5 mm MAKE Activated Carbon India/ SR Carbon
- Multi port valve : 25 (nb) mm-UKL Make
- Jumbo filter housing with 5/10 micron - Pratam/MMP make
- UV system with 1000 lph capacity with stainless steel 0.5 m height - make ALFA Sukruthi/nexus with Philips lamp (151 model) 1000 lph. (Mud) Micron filter
- 304 grade of 40mm square pipe stand with compact equipment skid mounted
- S.S. pipe line with necessary fittings -Make Birla Airocon.
- Centrifugal pump 0.5 HP (Make-CRI / Lubi / Leo) with 5years warranty
- **Booster pump 300 GPD (Make-ORG/AQUA) with 5 years warranty**
- Socket
- Battery-12v-7ah-optimum rating.
- Pressure gauge
- (Make of S. S. : JINDAL/TATA/salem SAIL/ Vizag steel)
- (Make of S. S. sheet (304 grade) : JINDAL/Salem SAIL)

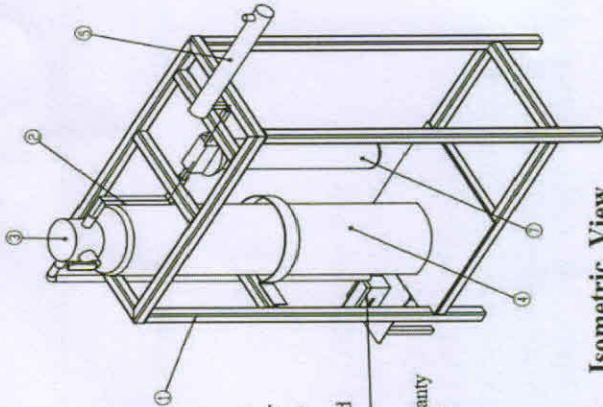


Top View



Front View

Side View



Isometric View

ALL DIMENSIONS ARE IN MILLIMETERS

Sl.No	Description	Specification	Material	Q.T.Y
1	Structure Assembly	920Wx500Dx1290H (40x40x1.20mm)	SS304	1 Set
2	Vessel System Set	Ø 255mm x1370mm H		1 Set
3	Multi Port Valve			1 Set
4	Jumbo Filter	5/10 Micron		1 Set
5	Uv-System	1000 LPH		1 Set
6	DC Motor	0.5 HP		1 Set
7	(Mud) Micron Filter	5/10 Micron		1 Set
8	Booster pump	300 GPD		1 Set

NOTE: All are five years warranty

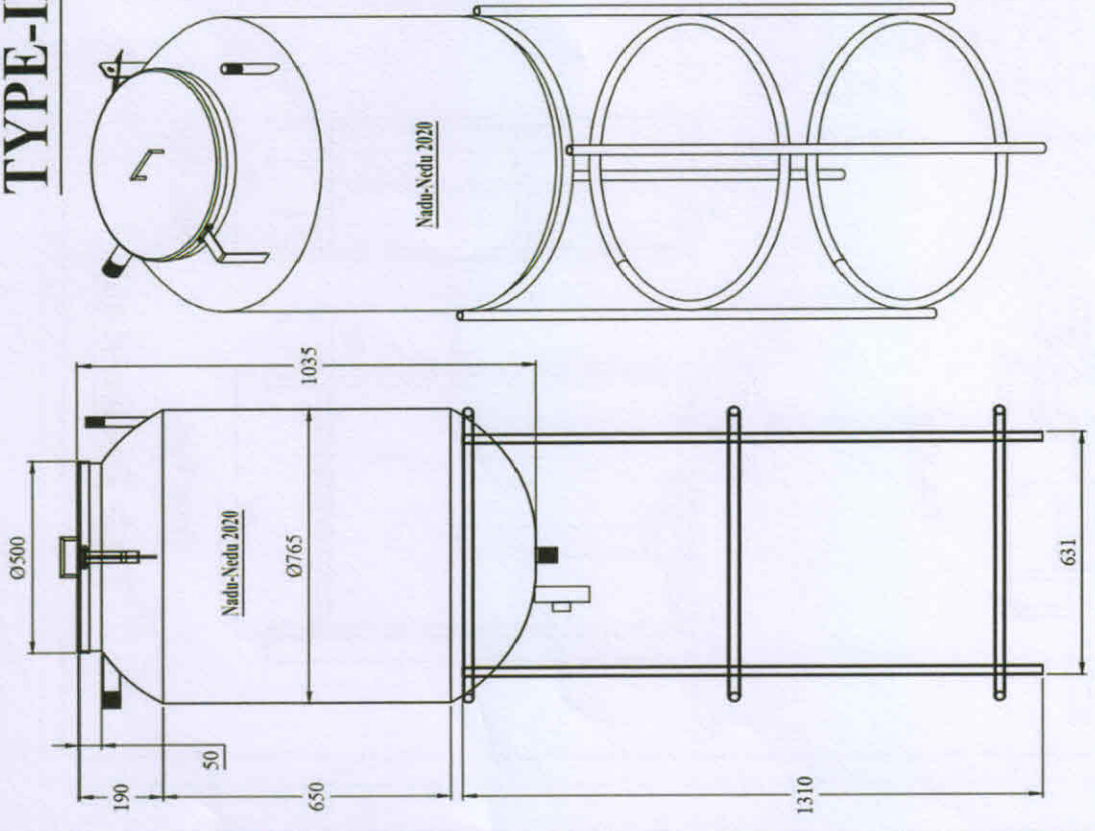
Fig.2- Treatment unit





Managing Director,
APEWIDC, Vijayawada

TYPE-III(B)



Treated Water Tank Assembly				
Sr.No	Description	Specification	Material	Q.T.Y
1	Stand Assembly	Ø 765mm x 1310mm H	SS304	1 Set
2	Tank Assembly	Ø 765mm x 1035mm H shell x 1.20mm thickness	SS304	1 Set

INDEX

300 Liters Treated water tank

- Tank size : 765 mm Ø -shell x 650 mm height of shell (Excluding curved portion)
- Top cover/Lid : 500 mm Ø lid on top with strong hinges for locking the system
- Tank Material : 304 grade (1.2 mm) stainless steel sheet (Jindal/Tata/salem SAIL/ Vizag steel)
- Stand : 768 mm Ø bottom ring made with S.S. 304 grade tube of size -25mmx25mmx 1.6mm thick
- Legs(1310mm ht.) : 4 Nos of legs & Ties made with S.S.304 garde tube of size -25mmx25mmx 1.6mm thick (as Shown in Fig.)
- Inlet Pipe : Made with S.S. 304 grade pipe 25.4mm (1")
- Outlet Pipe : Made with S.S. 304 grade pipe 40mm (1½")
- Drain Pipe : Made with S.S.304 grade pipe 40mm (1½")
- Embossing Letters : Nadu-Nedu (2020)
- (Make of S. S. : JINDAL/TATA/salem SAIL/ Vizag steel)
- (Make of S. S. sheet (304 grade) : JINDAL/Salem SAIL)

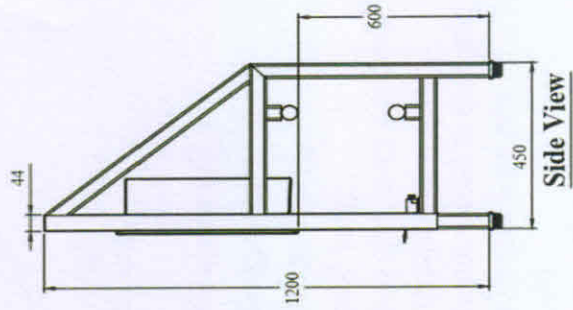
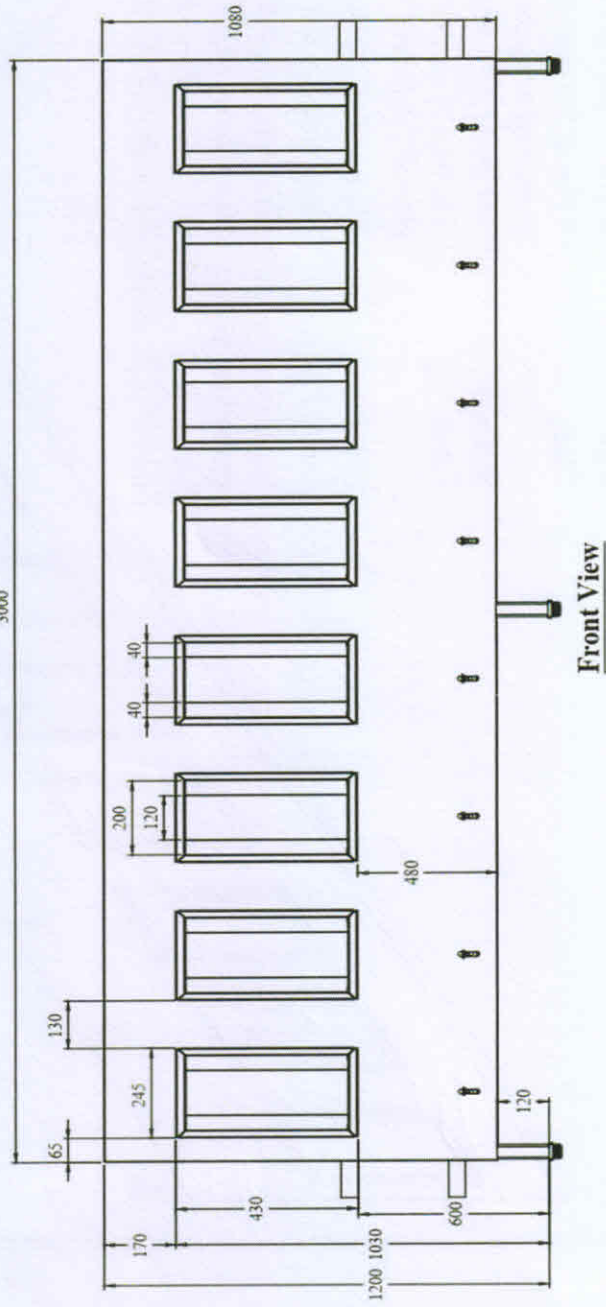
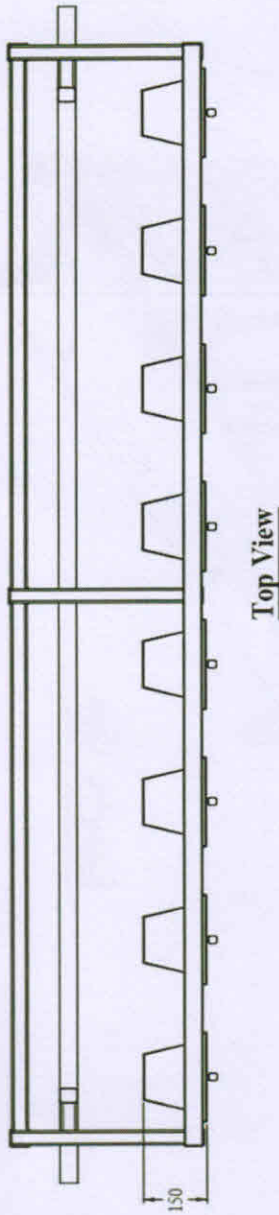
Isometric View

Front View

ALL DIMENSIONS ARE IN MILLIMETERS

Fig.3 Treated water tank

TYPE-III(B)



ALL DIMENSIONS ARE IN MILLIMETERS

Fig.4 - Water Dispenser For Government High Schools



Handwritten signature and initials in blue ink.

Managing Director,
APEWIDC, Vijayawada





Handwritten initials and date: 17/11/15

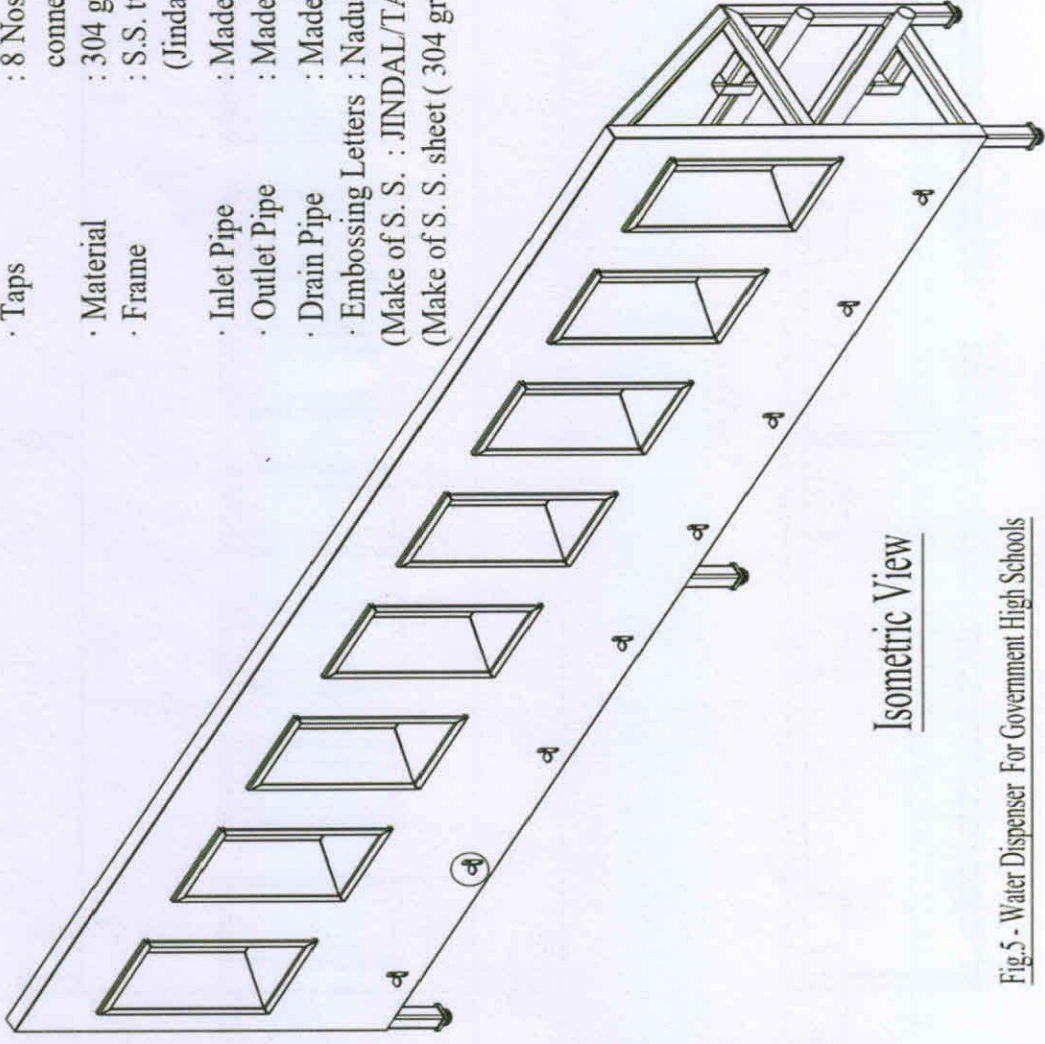
Signature of Managing Director, APEWIDC, Vijayawada

INDEX

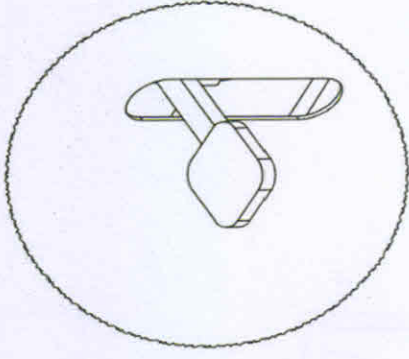
WATER DISPENSER

- Over all Size : 3000 mm Length x 450 mm Width x 1200 mm height
 - Panel Size : 3000 mm Length x 1080 mm height
 - Sink : 8 Nos of size:245x150x430mm
 - Taps : 8 Nos of S.S coated GM heavy duty push taps connected with foot pedestals as shown in drawings
 - Material : 304 grade of 1.0mm thick stainless steel sheet
 - Frame : S.S. tube of size 40x40x1.2mm thick with 304 grade (Jindal/Tata/salem SAIL/ Vizag steel)
 - Inlet Pipe : Made with S.S.304 grade pipe 40mm (1½")
 - Outlet Pipe : Made with S.S.304 grade pipe 25.4mm (1")
 - Drain Pipe : Made with S.S.304 grade pipe 40mm (1½")
 - Embossing Letters : Nadu-Nedu (2020)
- (Make of S. S. : JINDAL/TATA/salem SAIL/ Vizag steel)
(Make of S. S. sheet (304 grade) : JINDAL/Salem SAIL)

TYPE-III(B)



Isometric View



Pedestal

Fig.5 - Water Dispenser For Government High Schools